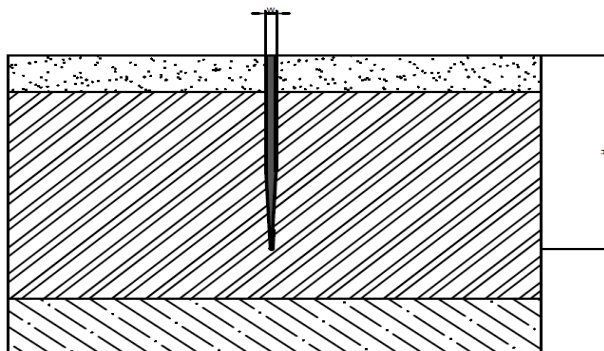




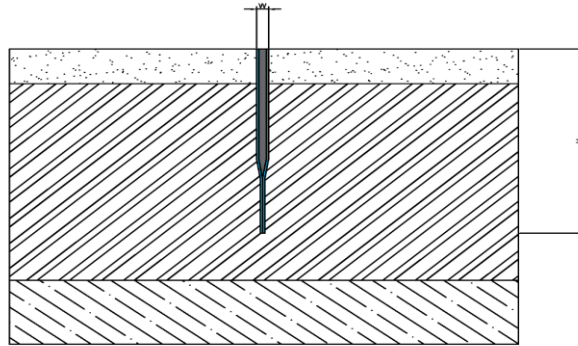
## HLK-Dilatacije 2015



Series HLK-MINI					
Order code	Installation height (mm)	material	length (m)	total movement (mm)	Visible width of profile (mm)
HLK MNE H20	20	Stainless steel (0,8mm) Moosgummi	2,5	2(±1)	3
HLK MNE H30	30	Stainless steel (0,8mm) Moosgummi	2,5	2(±1)	3
HLK MNE H40	40	Stainless steel (0,8mm) Moosgummi	2,5	2(±1)	3
HLK MNE H50	50	Stainless steel (0,8mm) Moosgummi	2,5	2(±1)	3
HLK MNE H60	60	Stainless steel (0,8mm) Moosgummi	2,5	2(±1)	3
HLK MNE H70	70	Stainless steel (0,8mm) Moosgummi	2,5	2(±1)	3
HLK MNE H80	80	Stainless steel (0,8mm) Moosgummi	2,5	2(±1)	3
HLK MNE H90	90	Stainless steel (0,8mm) Moosgummi	2,5	2(±1)	3
HLK MNE H100	100	Stainless steel (0,8mm) Moosgummi	2,5	2(±1)	3

Order code	Installation height (mm)	material	length (m)	total movement (mm)	Visible width of profile (mm)
HLK MAL H20	20	Aluminium (0,8mm) Moosgummi	2,5	2(±1)	3
HLK MAL H30	30	Aluminium (0,8mm) Moosgummi	2,5	2(±1)	3
HLK MAL H40	40	Aluminium (0,8mm) Moosgummi	2,5	2(±1)	3
HLK MAL H50	50	Aluminium (0,8mm) Moosgummi	2,5	2(±1)	3
HLK MAL H60	60	Aluminium (0,8mm) Moosgummi	2,5	2(±1)	3
HLK MAL H70	70	Aluminium (0,8mm) Moosgummi	2,5	2(±1)	3
HLK MAL H80	80	Aluminium (0,8mm) Moosgummi	2,5	2(±1)	3
HLK MAL H90	90	Aluminium (0,8mm) Moosgummi	2,5	2(±1)	3
HLK MAL H100	100	Aluminium (0,8mm) Moosgummi	2,5	2(±1)	3

Order code	Installation height (mm)	material	length (m)	total movement (mm)	Visible width of profile (mm)
HLK MMO H20	20	Brass (0,8mm) Moosgummi	2,5	2(±1)	3
HLK MMO H30	30	Brass (0,8mm) Moosgummi	2,5	2(±1)	3
HLK MMO H40	40	Brass (0,8mm) Moosgummi	2,5	2(±1)	3
HLK MMO H50	50	Brass (0,8mm) Moosgummi	2,5	2(±1)	3
HLK MMO H60	60	Brass (0,8mm) Moosgummi	2,5	2(±1)	3
HLK MMO H70	70	Brass (0,8mm) Moosgummi	2,5	2(±1)	3
HLK MMO H80	80	Brass (0,8mm) Moosgummi	2,5	2(±1)	3
HLK MMO H90	90	Brass (0,8mm) Moosgummi	2,5	2(±1)	3
HLK MMO H100	100	Brass (0,8mm) Moosgummi	2,5	2(±1)	3

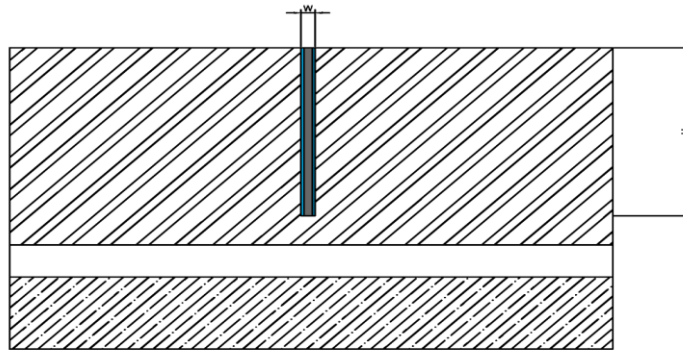


### Series HLK-Y

Order code	Installation height (mm)	material	length (m)	total movement (mm)	Visible width of profile (mm)
HLK YNE H70	70	Stainless steel (0,8mm) Moosgummi	2,5	2(±1)	3
HLK YNE H80	80	Stainless steel (0,8mm) Moosgummi	2,5	2(±1)	3
HLK YNE H90	90	Stainless steel (0,8mm) Moosgummi	2,5	2(±1)	3
HLK YNE H100	100	Stainless steel (0,8mm) Moosgummi	2,5	2(±1)	3
HLK YNE H110	110	Stainless steel (0,8mm) Moosgummi	2,5	2(±1)	3
HLK YNE H120	120	Stainless steel (0,8mm) Moosgummi	2,5	2(±1)	3
HLK YNE H130	130	Stainless steel (0,8mm) Moosgummi	2,5	2(±1)	3

Order code	Installation height (mm)	material	length (m)	total movement (mm)	Visible width of profile (mm)
HLK YAL H70	70	Aluminium (0,8mm) Moosgummi	2,5	2(±1)	3
HLK YAL H80	80	Aluminium (0,8mm) Moosgummi	2,5	2(±1)	3
HLK YAL H90	90	Aluminium (0,8mm) Moosgummi	2,5	2(±1)	3
HLK YAL H100	10	Aluminium (0,8mm) Moosgummi	2,5	2(±1)	3
HLK YAL H120	120	Aluminium (0,8mm) Moosgummi	2,5	2(±1)	3
HLK YAL H130	130	Aluminium (0,8mm) Moosgummi	2,5	2(±1)	3
HLK YAL H140	140	Aluminium (0,8mm) Moosgummi	2,5	2(±1)	3

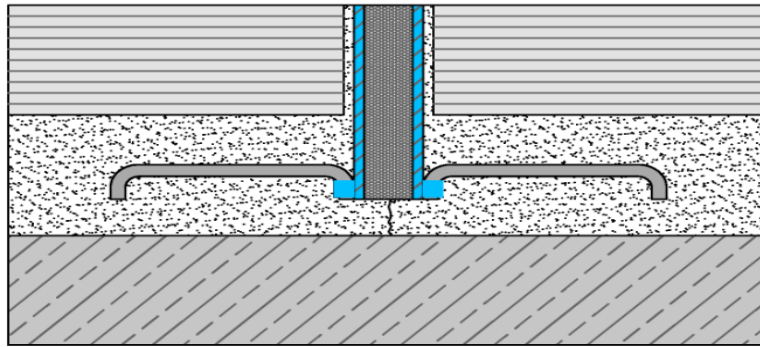
Order code	Installation height (mm)	material	length (m)	total movement (mm)	Visible width of profile (mm)
HLK YMO H70	70	Brass (0,8mm) Moosgummi	2,5	2(±1)	3
HLK YMO H80	80	Brass (0,8mm) Moosgummi	2,5	2(±1)	3
HLK YMO H90	90	Brass (0,8mm) Moosgummi	2,5	2(±1)	3
HLK YMO H100	100	Brass (0,8mm) Moosgummi	2,5	2(±1)	3
HLK YMO H110	110	Brass (0,8mm) Moosgummi	2,5	2(±1)	3
HLK YMO H120	120	Brass (0,8mm) Moosgummi	2,5	2(±1)	3
HLK YMO H130	130	Brass (0,8mm) Moosgummi	2,5	2(±1)	3



Series HLK-SLIM					
Order code	Installation height (mm)	material	length (m)	total movement (mm)	Visible width of profile (mm)
HLK UNE H10	10	Stainless steel (0,8mm) Moosgummi	2,5	2(±1)	5
HLK UNE H15	15	Stainless steel (0,8mm) Moosgummi	2,5	2(±1)	5
HLK UNE H20	20	Stainless steel (0,8mm) Moosgummi	2,5	2(±1)	5
HLK UNE H30	30	Stainless steel (0,8mm) Moosgummi	2,5	2(±1)	5
HLK UNE H40	40	Stainless steel (0,8mm) Moosgummi	2,5	2(±1)	5
HLK UNE H50	50	Stainless steel (0,8mm) Moosgummi	2,5	2(±1)	5
HLK UNE H60	60	Stainless steel (0,8mm) Moosgummi	2,5	2(±1)	5
HLK UNE H70	70	Stainless steel (0,8mm) Moosgummi	2,5	2(±1)	5
HLK UNE H80	80	Stainless steel (0,8mm) Moosgummi	2,5	2(±1)	5
HLK UNE H90	90	Stainless steel (0,8mm) Moosgummi	2,5	2(±1)	5
HLK UNE H100	100	Stainless steel (0,8mm) Moosgummi	2,5	2(±1)	5

Order code	Installation height (mm)	material	length (m)	total movement (mm)	Visible width of profile (mm)
HLK UAL H10	10	Aluminium (0,8mm) Moosgummi	2,5	2(±1)	5
HLK UAL H15	15	Aluminium (0,8mm) Moosgummi	2,5	2(±1)	5
HLK UAL H20	20	Aluminium (0,8mm) Moosgummi	2,5	2(±1)	5
HLK UAL H30	30	Aluminium (0,8mm) Moosgummi	2,5	2(±1)	5
HLK UAL H40	40	Aluminium (0,8mm) Moosgummi	2,5	2(±1)	5
HLK UAL H50	50	Aluminium (0,8mm) Moosgummi	2,5	2(±1)	5
HLK UAL H60	60	Aluminium (0,8mm) Moosgummi	2,5	2(±1)	5
HLK UAL H70	70	Aluminium (0,8mm) Moosgummi	2,5	2(±1)	5
HLK UAL H80	80	Aluminium (0,8mm) Moosgummi	2,5	2(±1)	5
HLK UAL H90	90	Aluminium (0,8mm) Moosgummi	2,5	2(±1)	5
HLK UAL H100	100	Aluminium (0,8mm) Moosgummi	2,5	2(±1)	5

Order code	Installation height (mm)	material	length (m)	total movement (mm)	Visible width of profile (mm)
HLK UMO H10	10	Brass (0,8mm) Moosgummi	2,5	2(±1)	5
HLK UMO H15	15	Brass (0,8mm) Moosgummi	2,5	2(±1)	5
HLK UMO H20	20	Brass (0,8mm) Moosgummi	2,5	2(±1)	5
HLK UMO H30	30	Brass (0,8mm) Moosgummi	2,5	2(±1)	5
HLK UMO H40	40	Brass (0,8mm) Moosgummi	2,5	2(±1)	5
HLK UMO H50	50	Brass (0,8mm) Moosgummi	2,5	2(±1)	5
HLK UMO H60	60	Brass (0,8mm) Moosgummi	2,5	2(±1)	5
HLK UMO H70	70	Brass (0,8mm) Moosgummi	2,5	2(±1)	5
HLK UMO H80	80	Brass (0,8mm) Moosgummi	2,5	2(±1)	5
HLK UMO H90	90	Brass (0,8mm) Moosgummi	2,5	2(±1)	5
HLK UMO H100	100	Brass (0,8mm) Moosgummi	2,5	2(±1)	5

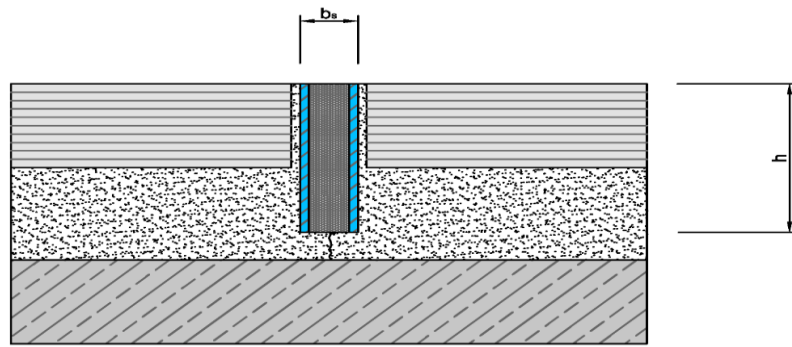


Series HLK with anchors

Order code	Installation height (mm)	material	length (m)	total movement (mm)	Visible width of profile (mm)
HLK NE H20	20	Stainless steel (1mm) EPDM	2,5	2(±1)	10
HLK NE H30	30	Stainless steel (1mm) EPDM	2,5	2(±1)	10
HLK NE H40	40	Stainless steel (1mm) EPDM	2,5	2(±1)	10
HLK NE H50	50	Stainless steel (1mm) EPDM	2,5	2(±1)	10
HLK NE H60	60	Stainless steel (1mm) EPDM	2,5	2(±1)	10
HLK NE H70	70	Stainless steel (1mm) EPDM	2,5	2(±1)	10
HLK NE H80	80	Stainless steel (1mm) EPDM	2,5	2(±1)	10
HLK NE H90	90	Stainless steel (1mm) EPDM	2,5	2(±1)	10
HLK NE H100	100	Stainless steel (1mm) EPDM	2,5	2(±1)	10

Order code	Installation height (mm)	material	length (m)	total movement (mm)	Visible width of profile (mm)
HLK AL H20	20	Aluminium (1mm) EPDM	2,5	2(±1)	10
HLK AL H30	30	Aluminium (1mm) EPDM	2,5	2(±1)	10
HLK AL H40	40	Aluminium (1mm) EPDM	2,5	2(±1)	10
HLK AL H50	50	Aluminium (1mm) EPDM	2,5	2(±1)	10
HLK AL H60	60	Aluminium (1mm) EPDM	2,5	2(±1)	10
HLK AL H70	70	Aluminium (1mm) EPDM	2,5	2(±1)	10
HLK AL H80	80	Aluminium (1mm) EPDM	2,5	2(±1)	10
HLK AL H90	90	Aluminium (1mm) EPDM	2,5	2(±1)	10
HLK AL H100	100	Aluminium (1mm) EPDM	2,5	2(±1)	10

Order code	Installation height (mm)	material	length (m)	total movement (mm)	Visible width of profile (mm)
HLK MO H20	20	Brass (1mm) EPDM	2,5	2(±1)	10
HLK MO H30	30	Brass (1mm) EPDM	2,5	2(±1)	10
HLK MO H40	40	Brass (1mm) EPDM	2,5	2(±1)	10
HLK MO H50	50	Brass (1mm) EPDM	2,5	2(±1)	10
HLK MO H60	60	Brass (1mm) EPDM	2,5	2(±1)	10
HLK MO H70	70	Brass (1mm) EPDM	2,5	2(±1)	10
HLK MO H80	80	Brass (1mm) EPDM	2,5	2(±1)	10
HLK MO H90	90	Brass (1mm) EPDM	2,5	2(±1)	10
HLK MO H100	100	Brass (1mm) EPDM	2,5	2(±1)	10

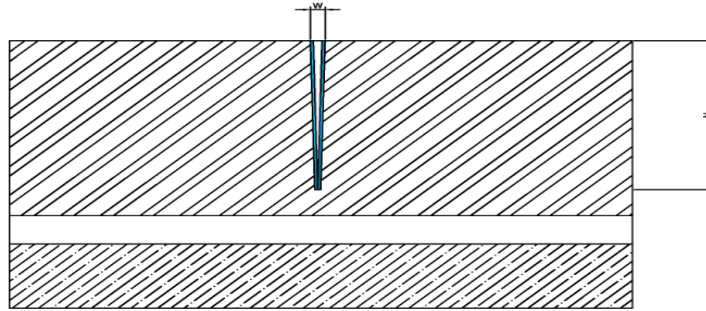


**Series HLK without anchors**

Order code	Installation height (mm)	material	length (m)	total movement (mm)	Visible width of profile (mm)
HLK HNE H10	10	Stainless steel (1mm) EPDM	2,5	2(±1)	10
HLK HNE H15	15	Stainless steel (1mm) EPDM	2,5	2(±1)	10
HLK HNE H20	20	Stainless steel (1mm) EPDM	2,5	2(±1)	10
HLK HNE H30	30	Stainless steel (1mm) EPDM	2,5	2(±1)	10
HLK HNE H40	40	Stainless steel (1mm) EPDM	2,5	2(±1)	10
HLK HNE H50	50	Stainless steel (1mm) EPDM	2,5	2(±1)	10
HLK HNE H60	60	Stainless steel (1mm) EPDM	2,5	2(±1)	10
HLK HNE H70	70	Stainless steel (1mm) EPDM	2,5	2(±1)	10
HLK HNE H80	80	Stainless steel (1mm) EPDM	2,5	2(±1)	10
HLK HNE H90	90	Stainless steel (1mm) EPDM	2,5	2(±1)	10
HLK HNE H100	100	Stainless steel (1mm) EPDM	2,5	2(±1)	10

Order code	Installation height (mm)	material	length (m)	total movement (mm)	Visible width of profile (mm)
HLK HAL H10	10	Aluminium (1mm) EPDM	2,5	2(±1)	10
HLK HAL H15	15	Aluminium (1mm) EPDM	2,5	2(±1)	10
HLK HAL H20	20	Aluminium (1mm) EPDM	2,5	2(±1)	10
HLK HAL H30	30	Aluminium (1mm) EPDM	2,5	2(±1)	10
HLK HAL H40	40	Aluminium (1mm) EPDM	2,5	2(±1)	10
HLK HAL H50	50	Aluminium (1mm) EPDM	2,5	2(±1)	10
HLK HAL H60	60	Aluminium (1mm) EPDM	2,5	2(±1)	10
HLK HAL H70	70	Aluminium (1mm) EPDM	2,5	2(±1)	10
HLK HAL H80	80	Aluminium (1mm) EPDM	2,5	2(±1)	10
HLK HAL H90	90	Aluminium (1mm) EPDM	2,5	2(±1)	10
HLK HAL H100	100	Aluminium (1mm) EPDM	2,5	2(±1)	10

Order code	Installation height (mm)	material	length (m)	total movement (mm)	Visible width of profile (mm)
HLK HMO H10	10	Brass (1mm) EPDM	2,5	2(±1)	10
HLK HMO H15	15	Brass (1mm) EPDM	2,5	2(±1)	10
HLK HMO H20	20	Brass (1mm) EPDM	2,5	2(±1)	10
HLK HMO H30	30	Brass (1mm) EPDM	2,5	2(±1)	10
HLK HMO H40	40	Brass (1mm) EPDM	2,5	2(±1)	10
HLK HMO H50	50	Brass (1mm) EPDM	2,5	2(±1)	10
HLK HMO H60	60	Brass (1mm) EPDM	2,5	2(±1)	10
HLK HMO H70	70	Brass (1mm) EPDM	2,5	2(±1)	10
HLK HMO H80	80	Brass (1mm) EPDM	2,5	2(±1)	10
HLK HMO H90	90	Brass (1mm) EPDM	2,5	2(±1)	10
HLK HMO H100	100	Brass (1mm) EPDM	2,5	2(±1)	10



### Series HLK-V

Order code	Installation height (mm)	material	length (m)	total movement (mm)	Visible width of profile (mm)
HLK VNE H40	40	Stainless steel (0,8mm) Moosgummi	2,5	2(±1)	3
HLK VNE H50	50	Stainless steel (0,8mm) Moosgummi	2,5	2(±1)	3
HLK VNE H60	60	Stainless steel (0,8mm) Moosgummi	2,5	2(±1)	3
HLK VNE H70	70	Stainless steel (0,8mm) Moosgummi	2,5	2(±1)	3
HLK VNE H80	80	Stainless steel (0,8mm) Moosgummi	2,5	2(±1)	3
HLK VNE H90	90	Stainless steel (0,8mm) Moosgummi	2,5	2(±1)	3
HLK VNE H100	100	Stainless steel (0,8mm) Moosgummi	2,5	2(±1)	3

Order code	Installation height (mm)	material	length (m)	total movement (mm)	Visible width of profile (mm)
HLK VAL H40	40	Aluminium (0,8mm) Moosgummi	2,5	2(±1)	3
HLK VAL H50	50	Aluminium (0,8mm) Moosgummi	2,5	2(±1)	3
HLK VAL H60	60	Aluminium (0,8mm) Moosgummi	2,5	2(±1)	3
HLK VAL H70	70	Aluminium (0,8mm) Moosgummi	2,5	2(±1)	3
HLK VAL H80	80	Aluminium (0,8mm) Moosgummi	2,5	2(±1)	3
HLK VAL H90	90	Aluminium (0,8mm) Moosgummi	2,5	2(±1)	3
HLK VAL H100	100	Aluminium (0,8mm) Moosgummi	2,5	2(±1)	3

Order code	Installation height (mm)	material	length (m)	total movement (mm)	Visible width of profile (mm)
HLK VMO H40	40	Brass (0,8mm) Moosgummi	2,5	2(±1)	3
HLK VMO H50	50	Brass (0,8mm) Moosgummi	2,5	2(±1)	3
HLK VMO H60	60	Brass (0,8mm) Moosgummi	2,5	2(±1)	3
HLK VMO H70	70	Brass (0,8mm) Moosgummi	2,5	2(±1)	3
HLK VMO H80	80	Brass (0,8mm) Moosgummi	2,5	2(±1)	3
HLK VMO H90	90	Brass (0,8mm) Moosgummi	2,5	2(±1)	3
HLK VMO H100	100	Brass (0,8mm) Moosgummi	2,5	2(±1)	3